

GSTF-CV150 Adjustable Cleanroom Draw Latch

Features

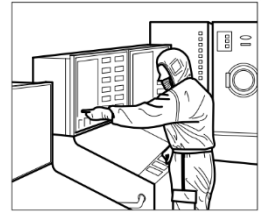
- Ideal for clean room, semiconductor, and food industry applications
- No metal-to-metal contact
- Clamping margin is adjustable

Notes

- The load capacities in the table below are values when used with a counter plate
- Heavy duty counter plate **GTF40C** is sold separately

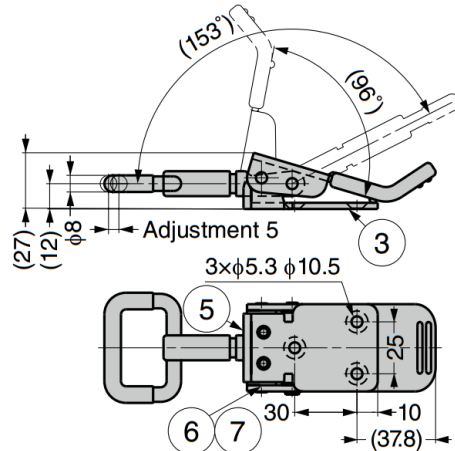
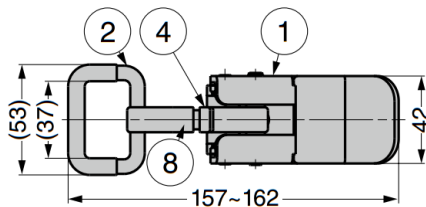
Recommended Screws

- Countersunk head screw M5



No.	Part Name	Material	Finish / Colour
①	Handle	Stainless Steel (SUS316)/ Cellulose Acetate (CA)	Barrel Polished/White Polished/White
		Stainless Steel (SCS14)	Barrel Polished/PA Coating Polished/PA Coating
②	Hook	Stainless Steel (SUS316)	Barrel Polished/Polished
③	Base	Stainless Steel (SUS316)	Barrel Polished/Polished
④	Hook Screw	Stainless Steel (SCS14)	Barrel Polished/Polished
⑤	Bumper	POM	Natural
⑥	Bush		
⑦	Washer	CR	Black
⑧	O-ring		

※SCS14 is equivalent of SUS316.



Part No.	Material	Finish	Load Capacity	
GSTF-CV150	Stainless Steel 316	Barrel Polished	3,300 N	330 kg
GSTF-CV150M		Polished		

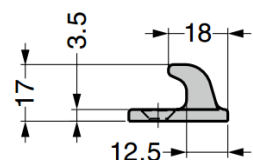
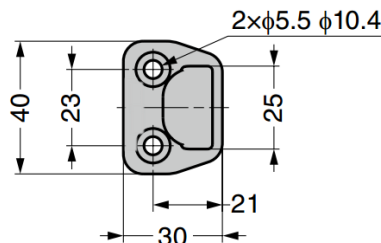
GTF40C Stainless Steel Counter Plate

Features

- For GSTF-CV150
- Very strong structure

Recommended Screws

- Countersunk head screw M5



Part No.	Material	Finish
GTF40C-ST	Stainless Steel 316	Barrel Polished
GTF40C-STM		Polished